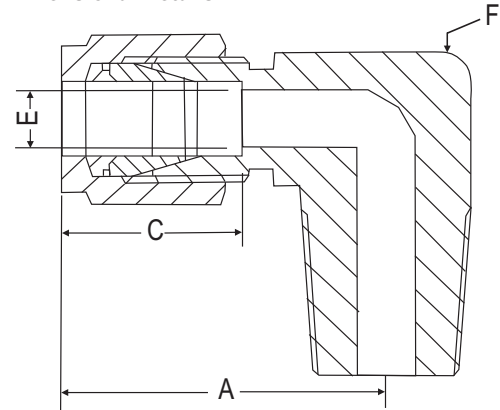



**Dimensional Details :**

**Notes :** Drawings are not to scale

**Dimensional Details**
**Dimension, in.**

Tube OD	NPT Male Thread Size	Part Number	A	C	E	F
1/8	1/8	<b>S2EM2N</b>	0.93	0.50	0.09	7/16
1/8	1/4	<b>S2EM4N</b>	0.97	0.50	0.09	1/2
1/4	1/4	<b>S4EM4N</b>	1.06	0.60	0.19	1/2
1/4	3/8	<b>S4EM6N</b>	1.17	0.60	0.19	11/16
1/4	1/2	<b>S4EM8N</b>	1.25	0.60	0.19	13/16
3/8	1/4	<b>S6EM4N</b>	1.20	0.66	0.28	5/8
3/8	3/8	<b>S6EM6N</b>	1.23	0.66	0.28	11/16
3/8	3/4	<b>S6EM12N</b>	1.46	0.66	0.28	1 1/16
1/2	1/4	<b>S8EM4N</b>	1.42	0.90	0.28	13/16
1/2	3/8	<b>S8EM6N</b>	1.42	0.90	0.38	13/16
1/2	1/2	<b>S8EM8N</b>	1.42	0.90	0.41	13/16
1/2	3/4	<b>S8EM12N</b>	1.57	0.90	0.41	1 1/16
3/4	1/2	<b>S12EM8N</b>	1.57	0.96	0.47	1 1/16
3/4	3/4	<b>S12EM12N</b>	1.57	0.96	0.62	1 1/16
1	3/4	<b>S16EM12N</b>	1.93	1.23	0.62	1 3/8
1	1	<b>S16EM16N</b>	1.93	1.23	0.88	1 3/8

**Dimension, mm.**

Tube OD	NPT Male Thread Size	Part Number	A	C	E	F in
6	1/8	<b>SM6EM2N</b>	27.0	15.3	4.8	1/2
6	1/4	<b>SM6EM4N</b>	27.0	15.3	4.8	1/2
6	3/8	<b>SM6EM6N</b>	29.8	15.3	4.8	11/16
6	1/2	<b>SM6EM8N</b>	31.8	15.3	4.8	13/16
8	1/8	<b>SM8EM2N</b>	28.8	16.2	4.8	9/16
8	1/4	<b>SM8EM4N</b>	28.8	16.2	6.4	9/16
8	3/8	<b>SM8EM6N</b>	30.6	16.2	6.4	11/16
8	1/2	<b>SM8EM8N</b>	32.6	16.2	6.4	13/16
10	1/8	<b>SM10EM2N</b>	31.5	17.2	4.8	11/16
10	1/4	<b>SM10EM4N</b>	31.5	17.2	7.1	11/16
10	3/8	<b>SM10EM6N</b>	31.5	17.2	7.9	11/16
10	1/2	<b>SM10EM8N</b>	33.5	17.2	7.9	13/16
12	1/4	<b>SM12EM4N</b>	36.0	22.8	7.1	13/16
12	3/8	<b>SM12EM6N</b>	36.0	22.8	9.5	13/16
12	1/2	<b>SM12EM8N</b>	36.0	22.8	9.5	13/16
12	3/4	<b>SM12EM12N</b>	39.8	22.8	9.5	1 1/16
16	3/8	<b>SM16EM6N</b>	38.0	24.4	9.5	15/16
16	1/2	<b>SM16EM8N</b>	38.0	24.4	11.9	15/16
16	3/4	<b>SM16EM12N</b>	39.8	24.4	12.7	1 1/16
20	1/2	<b>SM20EM8N</b>	44.6	26.0	11.9	1 3/8
20	3/4	<b>SM20EM12N</b>	44.6	26.0	15.9	1 3/8
25	3/4	<b>SM25EM12N</b>	49.1	31.3	15.9	1 3/8
25	1	<b>SM25EM16N</b>	49.1	31.3	21.8	1 3/8

Dimensions and specifications shown are approximate, may vary from time to time.

- Note :**
1. A and C dimensions are typical finger-tight
  2. Other Threading available on request

Note : Specifications and dimensions given in this product catalogue represents the state of engineering at the time of printing .  
 Modifications may take place and materials specified may be replaced by others without prior notice.